

**Instructions for use and installation**

Cooker Hood

**Betjenings- og installationsvejledning**

Emhætte

**Handbok för installation, användning och underhåll**

Spisfläkt

**Håndbok for installasjon bruk og vedlikehold**

Kjøkkenvifte

**Asennus-, käyttö- ja hoito-opas**

Liesituuletin

FNE 905 XS ECS

INDEX

EN

RECOMMENDATIONS AND SUGGESTIONS	3
CHARACTERISTICS	4
INSTALLATION.....	5
USE	8
MAINTENANCE	9
EASY CLEANING TM.....	10

INDHOLD

DK

RÅD OG ANVISNINGER	13
APPARATBESKRIVELSE	14
INSTALLATION.....	15
BRUG	18
VEDLIGEHOLDELSE	19
EASY CLEANING TM.....	20

INNEHÅLL

SE

REKOMMENDATIONER OCH TIPS	23
EGENSKAPER.....	24
INSTALLATION.....	25
ANVÄNDING	28
UNDERHÅLL.....	29
EASY CLEANING TM.....	30

INNHold

NO

ANBEFALINGER OG FORSLAG	33
EGENSKAPER.....	34
INSTALLASJON.....	35
BRUK	38
VEDLIKEHOLD	39
EASY CLEANING TM.....	40

SISÄLTÖ

FI

OHJEET JA SUOSITUKSET	43
MITAT JA OSAT	44
ASENNUS.....	45
KÄYTTÖ	48
HUOLTO	49
EASY CLEANING TM.....	50

RECOMMENDATIONS AND SUGGESTIONS

△ The Instructions for Use apply to several versions of this appliance. Accordingly, you may find descriptions of individual features that do not apply to your specific appliance.

INSTALLATION

- The manufacturer will not be held liable for any damages resulting from incorrect or improper installation.
- The minimum safety distance between the cooker top and the extractor hood is 650 mm (some models can be installed at a lower height, please refer to the paragraphs on working dimensions and installation).
- Check that the mains voltage corresponds to that indicated on the rating plate fixed to the inside of the hood.
- For Class I appliances, check that the domestic power supply guarantees adequate earthing.

Connect the extractor to the exhaust flue through a pipe of minimum diameter 120 mm. The route of the flue must be as short as possible.


- Do not connect the extractor hood to exhaust ducts carrying combustion fumes (boilers, fireplaces, etc.).
- If the extractor is used in conjunction with non-electrical appliances (e.g. gas burning appliances), a sufficient degree of aeration must be guaranteed in the room in order to prevent the backflow of exhaust gas. The kitchen must have an opening communicating directly with the open air in order to guarantee the entry of clean air.

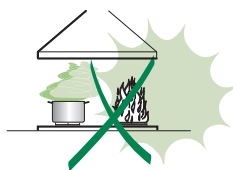
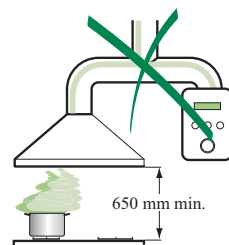
USE

- The extractor hood has been designed exclusively for domestic use to eliminate kitchen smells.
- Never use the hood for purposes other than for which it has been designed.
- Never leave high naked flames under the hood when it is in operation.
- Adjust the flame intensity to direct it onto the bottom of the pan only, making sure that it does not engulf the sides.
- Deep fat fryers must be continuously monitored during use: overheated oil can burst into flames.
- Do not flambé under the range hood; risk of fire
- This appliance is not intended for use by persons (including children) with reduced physical, sensory or mental capabilities, or lack of experience and knowledge, unless they have been given supervision or instruction concerning use of the appliance by a person responsible for their safety.
- Children should be supervised to ensure that they do not play with the appliance.

MAINTENANCE

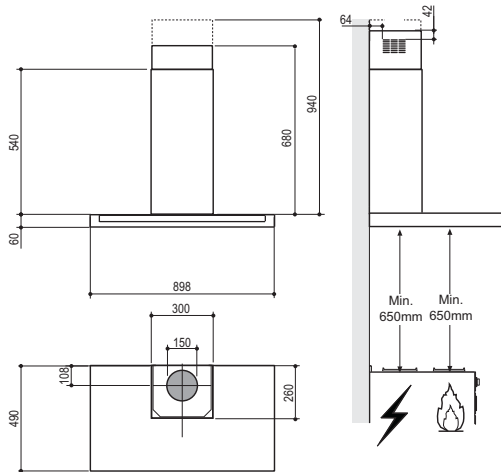
- Switch off or unplug the appliance from the mains supply before carrying out any maintenance work.
- Clean and/or replace the Filters after the specified time period (Fire hazard).
- Clean the hood using a damp cloth and a neutral liquid detergent.

The symbol  on the product or on its packaging indicates that this product may not be treated as household waste. Instead it shall be handed over to the applicable collection point for the recycling of electrical and electronic equipment. By ensuring this product is disposed of correctly, you will help prevent potential negative consequences for the environment and human health, which could otherwise be caused by inappropriate waste handling of this product. For more detailed information about recycling of this product, please contact your local city office, your household waste disposal service or the shop where you purchased the product.



CHARACTERISTICS

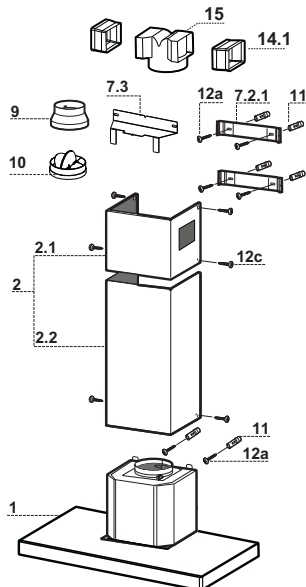
Dimensions



Components

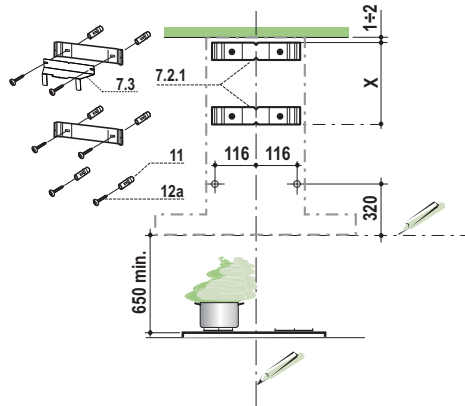
Ref.	Q.ty	Product Components
1	1	Hood Body, complete with: Controls, Light, Blower, Filters
2	1	Telescopic Chimney comprising:
2.1	1	Upper Section
2.2	1	Lower Section
9	1	Reducer Flange \varnothing 150-120 mm
10	1	Damper \varnothing 150
14.1	2	Air Outlet Connection Extension
15	1	Air Outlet Connection

Ref.	Q.ty	Installation Components
7.2.1	2	Upper Chimney Section Fixing Brackets
7.3	1	Air Outlet Connection Support
11	6	Wall Plugs
12a	6	Screws 4,2 x 44,4
12c	6	Screws 2,9 x 9,5
Q.ty	Documentation	
1	Instruction Manual	



INSTALLATION

Wall drilling and bracket fixing

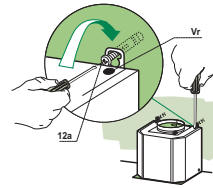


Wall marking:

- Draw a vertical line on the supporting wall up to the ceiling, or as high as practical, at the centre of the area in which the hood will be installed.
- Draw a horizontal line at 650 mm above the hob.
- Place bracket **7.2.1** on the wall as shown about 1-2 mm from the ceiling or upper limit aligning the centre (notch) with the vertical reference line.
- Mark the wall at the centres of the holes in the bracket.
- Place bracket **7.2.1** on the wall as shown at X mm below the first bracket (X = height of the upper chimney section supplied), aligning the centre (notch) with the vertical line.
- Mark the wall at the centres of the holes in the bracket.
- Mark a reference point as indicated at 116 mm from the vertical reference line and 320 mm above the horizontal reference line.
- Repeat this operation on the other side.
- Drill \varnothing 8 mm holes at all the centre points marked.
- Insert the wall plugs **11** in the holes.
- Fix the lower bracket **7.2.1** using the **12a** screws (4,2 x 44,4) supplied.
- Fix the upper bracket **7.2.1** and the air outlet connection support **7.3** together using the 2 screws **12a** (4,2 x 44,4) supplied.
- Insert the two screws **12a** (4,2 x 44,4) supplied in the hood body fixing holes, leaving a gap of 5-6 mm between the wall and the head of the screw.

Mounting the hood body

- Before attaching the hood body, tighten the two screws **Vr** located on the hood body mounting points.
- Hook the hood body onto the screws **12a**.
- Fully tighten the support screws **12a**.
- Adjust the screws **Vr** to level the hood body.



Connections

DUCTED VERSION AIR EXHAUST SYSTEM

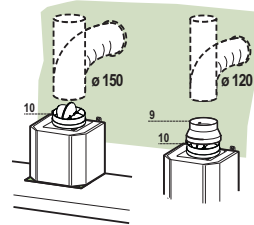
When installing the ducted version, connect the hood to the chimney using either a flexible or rigid pipe \varnothing 150 or 120mm, the choice of which is left to the installer.

To install a \varnothing 150 pipe

- To install the dumper **10**
- Fix the pipe in position using sufficient pipe clamps (not supplied).

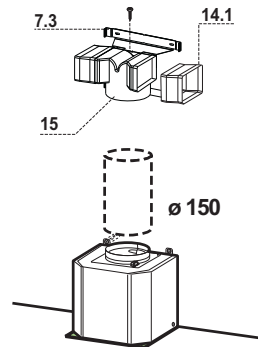
To install a \varnothing 120 pipe

- To install a \varnothing 120 mm air exhaust connection, insert the reducer flange **9** on the dumper **10**.
- Fix the pipe in position using sufficient pipe clamps (not supplied).
- Remove any activated charcoal filters.



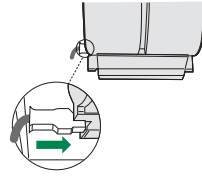
RECIRCULATION VERSION AIR OUTLET

- Insert the connection extension pieces laterally **14.1** in connection **15**.
- Insert the Connector **15** into the Support bracket **7.3** and fix it with a screw.
- Make sure that the outlet of the extension pieces **14.1** is horizontally and vertically aligned with the chimney outlets.
- Connect the air outlet connection **15** to the hood body outlet using either a flexible or rigid pipe \varnothing 150 mm, the choice of which is left to the installer.
- Ensure that the activated charcoal filters have been inserted.



ELECTRICAL CONNECTION

- Connect the hood to the mains through a two-pole switch having a contact gap of at least 3 mm.
- Remove the grease filters (see paragraph Maintenance) being sure that the connector of the feeding cable is correctly inserted in the socket placed on the side of the fan.



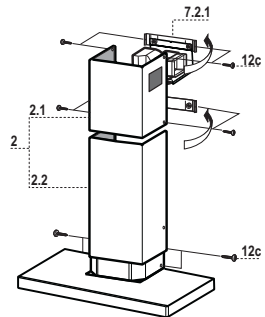
Flue assembly

Upper exhaust flue

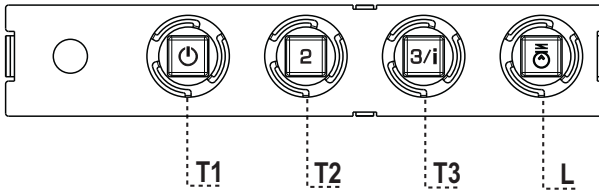
- Slightly widen the two sides of the upper flue and hook them behind the brackets **7.2.1**, making sure that they are well seated.
- Secure the sides to the brackets by using the 4 screws **12c** (2,9 x 9,5) supplied.
- Make sure that the outlet of the extensions pieces is aligned with the chimney outlets.

Lower exhaust flue

- Slightly widen the two sides of the flue and hook them between the upper flue and the wall, making sure that they are well seated.
- Fix the lower part laterally to the hood body by using the 2 screws **12c** (2,9 x 9,5) supplied.



USE



Control panel

BUTTON	LED	FUNCTIONS
T1 Speed	On	Turns the Motor on at Speed one. Turns the Motor off.
T2 Speed	On	Turns the Motor on at Speed two.
T3 Speed	Fixed	When pressed briefly, turns the Motor on at Speed three.
	Flashing	Pressed for 2 Seconds. Activates Speed four with a timer set to 10 minutes, after which it returns to the speed that was set previously. Suitable to deal with maximum levels of cooking fumes.
L Light		Turns the Lighting System on and off.

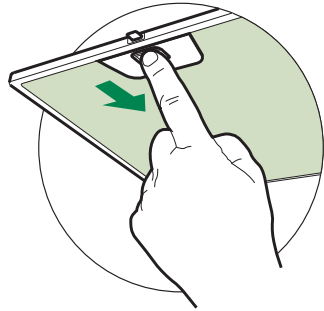
Warning: Button **T1** turns the motor off, after first passing to speed one.

MAINTENANCE

Grease filters

CLEANING METAL SELF-SUPPORTING GREASE FILTERS

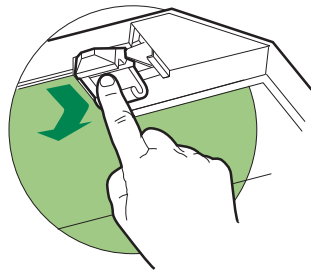
- The filters must be cleaned every 2 months of operation, or more frequently for particularly heavy usage, and can be washed in a dishwasher.
- Remove the filters one at a time by pushing them towards the back of the group and pulling down at the same time.
- Wash the filters, taking care not to bend them. Allow them to dry before refitting.
- When refitting the filters, make sure that the handle is visible on the outside.



Activated charcoal filter (Recirculation version)

REPLACING THE ACTIVATED CHARCOAL FILTER

- The filter is not washable and cannot be regenerated, and must be replaced approximately every 4 months of operation, or more frequently for particularly heavy usage.
- Remove the metal grease filters.
- Remove the saturated activated carbon filter by releasing the fixing hooks.
- Fit the new filter by hooking it into its seating.
- Refit the metal grease filters.



Lighting

LIGHT REPLACEMENT

20 W halogen light.

- Remove the 2 screws fixing the Lighting support, and pull it out of from the Hood.
- Extract the lamp from the Support.
- Replace with another of the same type, making sure that the two pins are properly inserted in the lamp holder socket holes.
- Refit the Support, fixing it in place with the two screws removed as above.

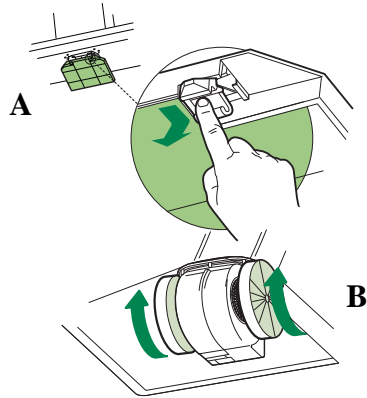


EASY CLEANING™

Removing the Grease Filters

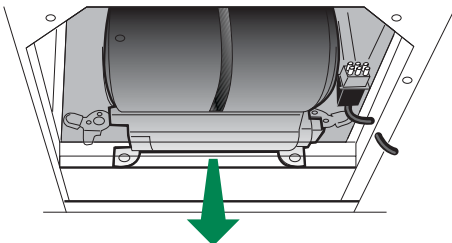
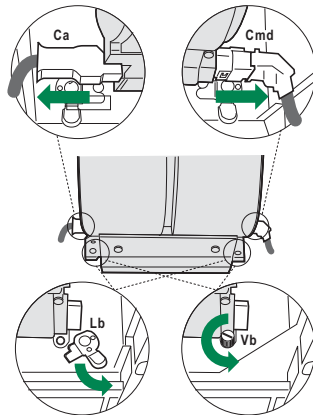
Before carrying out Maintenance on the EASY CLEANING Suction Unit:

- Disconnect the hood by switching off the twopole switch on the mains power supply line, or by switching off the main power switch.
- Remove the grease filters from the hood.
- If the hood is of the recirculation type, remove the odour filters:
- For hoods with a flat cartridge (A): turn the fastening elements provided;
- For hoods with a bayonet cartridge (B): turn as indicated and extract.



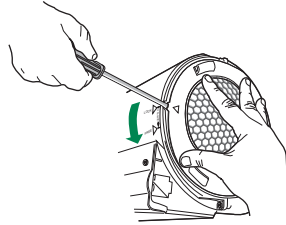
Disconnecting the EASY CLEANING Suction Unit

- Disconnect the power connector **Ca** and the control and lighting connector **Cmd** on the sides of the unit.
- For wall-mounted hoods and free-standing hoods with square chimney, turn the levers **Lb** locking the suction unit, so that they disconnect from the pins.
- For free-standing hoods with round chimney, unscrew the plugs **Vb** locking the suction unit.
- Pull the suction unit forwards so that it un-hooks from the support pins, and remove it downwards through the air outlet.

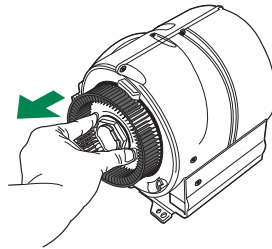


Dismantling Washable Parts

- To remove the side grilles protecting the fans, lift up the stop tooth using a knife or screwdriver and turn the grilles in the direction indicated by the arrow.

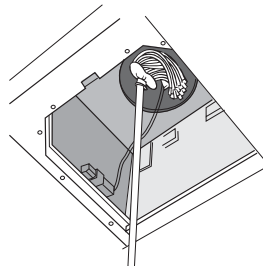
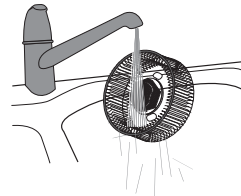


- Grasp the fans in the holes provided and pull to extract.



CLEANING

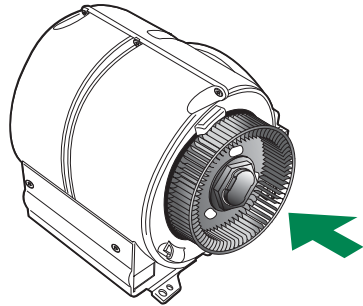
- Wash the fans and the protection grilles, using normal washing-up liquid. These elements can also be washed in the dishwasher.
- Using a damp cloth and a suitable detergent, clean the body of the suction device, taking great care not to allow any water to leak into the inside of the unit or into the connector housings.
- Leave until completely dry before reassembling.
- Using a brush, clean the air outlet pipe as far as you can reach.



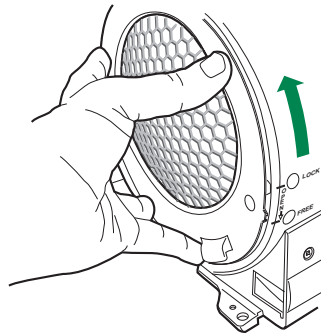
REASSEMBLY

N.B. To avoid reassembling the wrong way round, the two fans have different couplings.

- Reassemble the fans on the corresponding pins, pressing them until they snap into place.



- Fit the protection grilles so that the teeth coincide in the “FREE” position and when turned to “LOCK”.
- Replace the EASY CLEANING suction unit on the hood, inserting it in position and connecting it to the support pins.
- Turn the lock levers, or screw in the lock plugs.
- Connect the power connector and the command connector to the sockets on the sides of the suction device.
- Replace any activated charcoal odour filters.
- Replace the grease filters.
- Connect the hood to the power supply system, by turning the two-pole switch on the mains power line to on, or by turning the main switch on.
- Check that the hood is working properly, by turning the motor and lighting on.



RÅD OG ANVISNINGER

⚠ Denne brugervejledning gælder for flere versioner af apparatet.

Der fremstilles muligvis enkelte dele af tilbehøret, der ikke vedrører jeres apparat.

INSTALLATION

- Producenten kan ikke holdes ansvarlig for eventuelle skader, der skyldes ukorrekt eller forkert installation.
- Den mindst tilladelige sikkerhedsafstand mellem komfurets top og emhættens underside er 650 mm (nogle modeller kan installeres lavere, jævnfør afsnittene vedrørende ydre mål og installation).
- Kontrollér, at lysnetspændingen er den samme som den spænding, der er angivet på mærkepladen, der sidder på inde i emhætten.
- For Klasse I apparater skal det også kontrolleres, at elforsyningen er forsynet med jord.
- Emhætten kobles til aftrækskanalen ved hjælp af et rør med en min.-diameter på 120 mm. Afstanden fra emhætten til kanalen skal være så kort som mulig.
- Emhætten må ikke tilsluttes en kanal, der fører forbrændingsgasser ud i det fri (olie-fyr, brændeovne etc.).
- Hvis emhætten skal anvendes i forbindelse med ikke-elektriske apparater (f.eks. gaskomfur, gaskogebles), skal det sikres, at lufttilgangen til rummet er tilstrækkelig, så aftrækgasserne ikke slår tilbage. Køkkenet skal have en åbning, der har direkte forbindelse til det fri, så der er sikret en tilstrækkelig mængde ren luft.

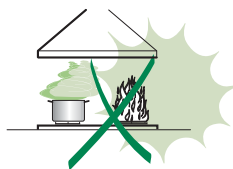
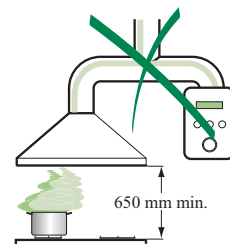
ANVENDELSE

- Emhætten er udelukkende beregnet til at fjerne em og lugte i køkkener i private husholdninger.
- Emhætten må kun anvendes til det formål, hvortil den er konstrueret.
- Der må ikke forekomme høj åben ild under emhætten, mens den anvendes.
- Justér brænderen, så flammerne er rettet direkte mod bunden af panden/gryden – de må ikke nå ud over kanten af bunden.
- Frituregryder skal under brug holdes under konstant opsyn: kogende varm olie kan sprøjte ind i flammerne.
- Emhætten må ikke anvendes af børn og personer, som ikke ved, hvordan den betjenes.
- Apparatet er ikke beregnet til at skulle anvendes af mindre børn eller svækkede personer uden opsyn.
- Undlad at flambere retter under emhætten; der opstår ellers brandfare.
- Dette apparat må ikke anvendes af personer (derunder børn) med nedsatte psykiske, sensoriske eller sindsmæssige evner, eller personer uden erfaring eller tilstrækkeligt kendskab, med mindre de overvåges eller oplæres i brug af apparatet af personer, der er ansvarlige for deres sikkerhed.
- Børn skal overvåges for at undgå, at de leger med apparatet.

VEDLIGEHOLDELSE

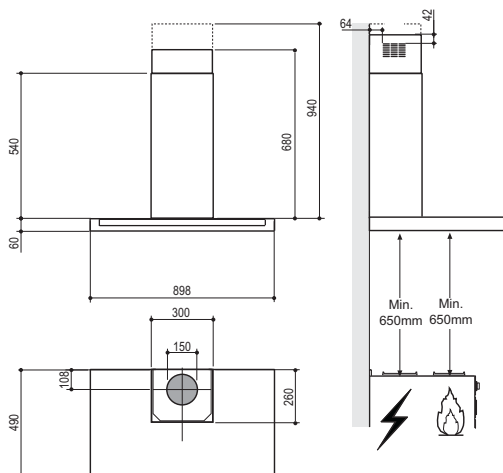
- Inden apparatet skal vedligeholdes eller rengøres, skal der slukkes for det eller stikket skal tages ud af stikkontakten.
- Rengør og/eller udskift filtrene iht. det angivne tidinterval (Brandbare).
- Rengør emhætten ved hjælp af en fugtig klud og et neutralt flydende rengøringsmiddel.

⚠ Symbolet på produktet eller på pakken angiver, at dette produkt ikke må behandles som husholdningsaffald. Det skal i stedet overgives til en affaldsstation for behandling af elektrisk og elektronisk udstyr. Ved at sørge for at dette produkt bliver bortskaffet på den rette måde, hjælper du med til at forebygge eventuelle negative påvirkninger af miljøet og af personers helbred, der ellers kunne forårsages af forkert bortskaffelse af dette produkt. Kontakt det lokale kommunekontor, affaldsselskab eller den forretning, hvor produkt er købt, for yderligere oplysninger om genanvendelse af dette produkt.



APPARATBESKRIVELSE

Dimensioner

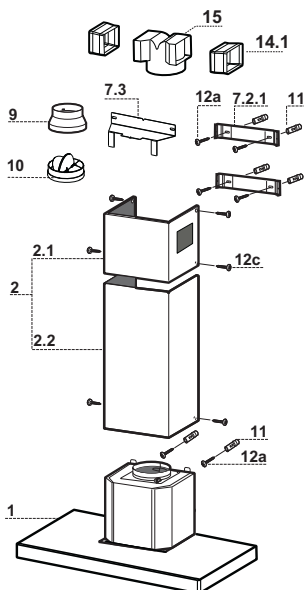


Komponenter

Ref.	Stk.	Produktets komponenter
1	1	Emhættens hoveddel inkl.: Betjeningsanordninger, lys, ventilatorenhed, filtre
2	1	Teleskopaftræk bestående af:
2.1	1	Øverste aftræk
2.2	1	Nederste aftræk
9	1	Passtykke ø 150-120 mm
10	1	Sidestykke med ventil
14.1	2	Forlænger til luftudstrømnings overgangsstykke
15	1	Luftudstrømnings overgangsstykke

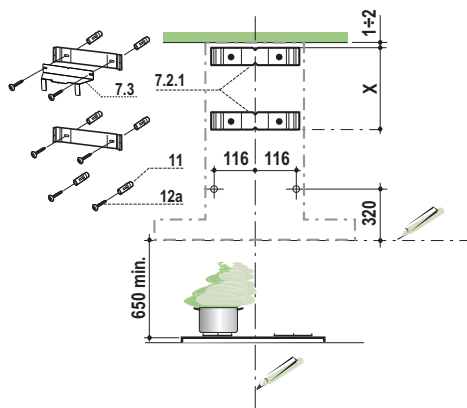
Ref.	Stk.	Installationsdele
7.2.1	2	Beslag til befæstigelse af øverste aftræk
7.3	1	Støttebeslag til overgangsstykket
11	6	Forankringer
12a	6	Skruer 4,2 x 44,4
12c	6	Skruer 2,9 x 9,5

Stk.	Dokumentation
1	Brugerhåndbog



INSTALLATION

Boring i væg og befæstigelse af beslag

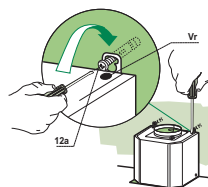


På væggen skal der afmærkes:

- en lodret linje op til loftet eller den øverste grænse, i midten af emhættens monteringsområde;
- en vandret linje mindst 650 mm over kogepladen.
- Placér beslaget **7.2.1** som vist, d.v.s. 1-2 mm fra loftet eller den øverste grænse, og stil dets midte (indskæringer) på lige linje med den lodrette referencelinje.
- Afmærk midten af hullerne i beslaget.
- Placér beslaget **7.2.1** som vist, X mm under det første beslag (X=højden på det øverste aftræk, der følger med), og stil dets midte (indskæringer) på lige linje med den lodrette referencelinje.
- Afmærk midten af hullerne i beslaget.
- Afmærk som vist en reference 116 mm fra den lodrette referencelinje, 320 mm over den vandrette referencelinje.
- Gør det samme på den anden side.
- Bor et hul med \varnothing 8 mm på de afmærkede steder.
- Sæt forankringerne **11** i hullerne.
- Fastgør det nederste beslag **7.2.1** ved hjælp af de medfølgende skruer **12a** (4,2 x 44,4).
- Fastgør det øverste beslag **7.2.1** og overgangsstykkets støttebeslag **7.3** ved hjælp af de 2 medfølgende skruer **12a** (4,2 x 44,4).
- Skru de 2 medfølgende skruer **12a** (4,2 x 44,4) fast i hullerne til fastgøring af emhættens hoveddel, hvorved der skal sikres en afstand på 5-6 mm mellem væggen og skruens hoved.

Montering af emhætte

- Inden man hænger emhætten op, skal man stramme de to skruer **Vr**, som sidder i hættens ophængningspunkter.
- Hæng emhætten op på de forberedte skruer **12a**.
- Stram ophængningsskruerne **12a** helt til.
- Ved at dreje på skruerne **Vr** nivelleres emhætten.



Tilslutninger

VERSION FORBUNDET TIL AFTRÆKSKANAL

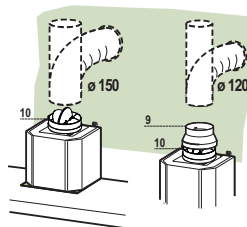
Når aftrækskanal-versionen opsættes, forbindes emhætteenheden til kanalen med en flexslange eller et hårdt rør, Ø150 eller 120 mm – valget er op til den, der opsætter emhætten.

Tilslutning af rør på Ø 150

- Indsæt studsens på Ø 150 **10** på emhættens udsugningshul.
- Spænd røret fast med specielle rørklemmer. Disse medleveres ikke.

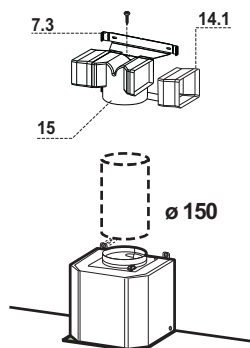
Tilslutning af rør på Ø 120

- Ved tilslutning af rør på Ø120 mm, indsættes reduktionsstudsens **9** på studsens Ø 150, som er monteret tidligere.
- Spænd røret fast med specielle rørklemmer. Disse medleveres ikke.
- I begge tilfælde skal man fjerne eventuelle lugtabsorberende kulfiltre.



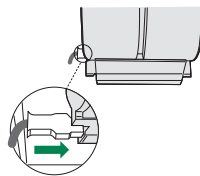
LUFTUDSTRØMNING PÅ FILTRERENDE VERSION

- Før overgangsstykkets forlængere **14.1** ind på siden af overgangsstykket **15**.
- Før overgangsstykket **15** ind i støttebeslaget **7.3**, og spær det fast med en skrue.
- Sørg for at udgangen på overgangsstykkets forlængere **14.1** befinder sig ud for aftrækkets munding, både vandret og lodret.
- Forbind overgangsstykket **15** til emhættens hoveddels udgang ved hjælp af et rør eller en flexslange med Ø150, som det påhviler installatøren at vælge.
- Sørg for, at lugtfilteret med aktivt kul er monteret.



TILSLUTNING TIL STRØMFORSYNING

- Tilslut emhætten til elnettet, idet der indsættes en topolet afbryder med en kontaktafstand på mindst 3 mm.
- Fjern fedtfilterne (se afsnittet ”Vedligeholdelse”) og kontroller, at eltilslutningens kabelklemme er korrekt indsat i udsugningsgruppens stik.



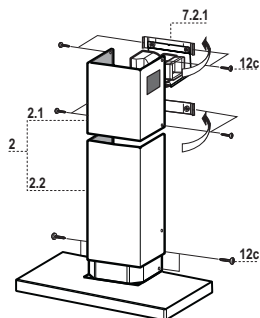
Montering af aftræk

Øverste aftræk

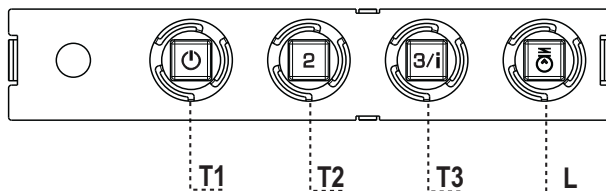
- Skub de to sideflapper lidt ud, sæt dem fast bag ved beslagene **7.2.1**, og luk dem til igen, helt til stoppet.
- Fastgør dem på siden af beslagene ved hjælp af de 4 medfølgende skruer **12c** (2,9 x 9,5).
- Sørg for at udgangen på overgangsstykkets forlængere befinder sig ud for aftrækkets munding.

Nederste aftræk

- Skub aftrækkets sideflapper lidt ud, sæt dem fast mellem det øverste aftræk og væggen, og luk dem igen, helt til stoppet.
- Fastgør undersiden på siden af emhættens hoveddel ved hjælp af de 2 medfølgende skruer **12c** (2,9 x 9,5).



BRUG



Betjeningspanel

TAST	KONTROLLAMPER	FUNKTIONER
T1	Hastighed Tændt	Tænder motoren ved 1. hastighed. Slukker motoren.
T2	Hastighed Tændt	Tænder motoren ved 2. hastighed.
T3	Hastighed Konstant Blinkende	Et kortvarigt tryk tænder motoren ved 3. hastighed. Trykket nede i 2 sekunder. Aktiverer den 4. hastighed (tidsindstillet til 10 minutter). Herefter genetableres den hastighed, der var indstillet forudgående. Er i stand til at klare selv den kraftigste os fra madlavningen.
L	Lys	Tænder og slukker lyset.

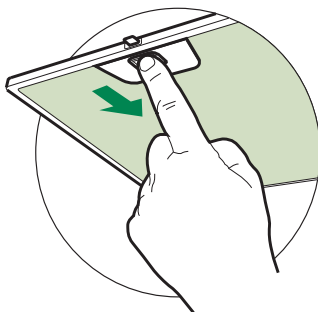
Advarsel: Tasten **T1** slukker motoren ved altid at gå til 1. hastighed.

VEDLIGEHOLDELSE

Fedtfiltre

RENGØRING AF SELVBÆRENDE FEDTFILTRE AF METAL

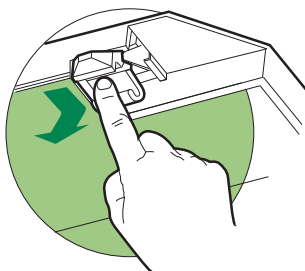
- Filtrene skal rengøres efter 2 måneders drift, eller oftere ved kraftig anvendelse, og de kan vaskes i opvaskemaskine.
- Fjern filtrene på én gang ved at skubbe dem mod det bageste af gruppen og træk dem ned på samme tid.
- Vask filtrene og pas samtidig på ikke at bøje dem. Lad dem tørre, inden de fastgøres igen.
- Når filtrene fastgøres igen, skal du sørge for, at håndtaget er synligt udefra.



Aktivt kulfilter (recirkulationsudgave)

UDSKIFTNING AF DET AKTIVE KULFILTER

- Filteret kan ikke vaskes og kan ikke regenereres, og skal udskiftes omkring hver fjerde måned, eller oftere ved kraftig brug.
- Tag fedtfiltrene af metal ud
- Tag det gennemvædede aktive kulfilter ud ved at løsne befæstelseskroge.
- Fastgør det nye filter ved at hægte ind på plads
- Sæt metalfedtfiltrene på plads igen.

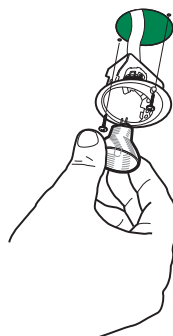


Belysning

UDSKIFTNING AF PÆRER

20W halogenpærer.

- Fjern de 2 skruer, som fastholder fatningen og tag den ud af emhætten.
- Tag pæren ud af fatningen.
- Skift den ud med en ny af samme slags, idet man sørger for at indsætte de to spidser korrekt i fatningen.
- Montér fatningen igen ved hjælp af de to skruer.

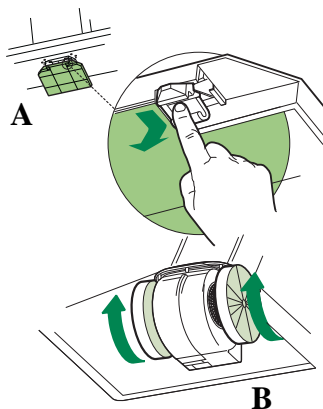


EASY CLEANING™

Udtagning af fedtfiltere

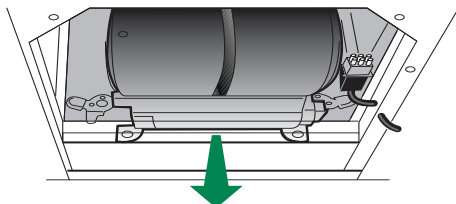
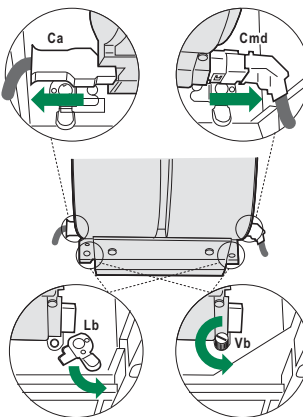
Før man går i gang med vedligeholdelsen af EASY CLEANING udsugningsenheden:

- Frakobl emhætten ved at aktivere den topolede afbryder, der er installeret på netforsyningen, eller hovedafbryderen.
- Fjern fedtfilterene fra emhætten.
- Fjern lugtfilterene, hvis det drejer sig om den filtrerende version af emhætten:
- Hvis emhætten er forsynet med flad indsats (A): Indvirk på de dertil beregnede hager;
- Hvis emhætten er forsynet med bajonetindsats (B): Drej som vist på billedet, og tag den ud.



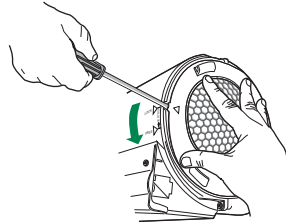
Frakobling af EASY CLEANING udsugningsenheden

- Frakobl forsyningskonnektoren **Ca** og betjeningsanordningernes og belysningens konnektor **Cmd** på enhedens sider.
- På vægmonterede emhætter og emhætter over kogeøer med rektangulært aftræk, skal udsugningsenhedens spærregreb **Lb** drejes og frakobles tappene.
- På emhætter over kogeøer med rundt aftræk, skal udsugningsenhedens spærhager **Vb** løsnes.
- Træk udsugningsenheden frem, så den frakobles støttetappene, og tag den ud i nedadgående retning.

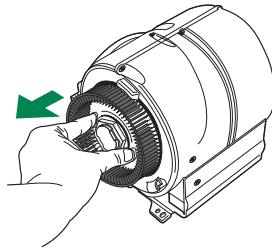


Afmontering af de dele, der kan vaskes

- Sideristene, der beskytter rotorerne, fjernes ved at hæve spærrehakkene med spidsen af en skruetrækker eller en kniv og dreje dem i pilens retning.

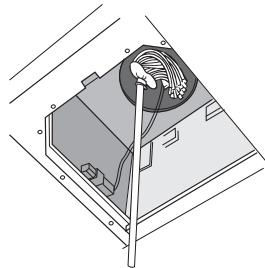
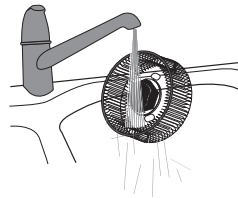


- Tag fat i rotorerne i hullerne, og træk dem ud.



RENGØRING

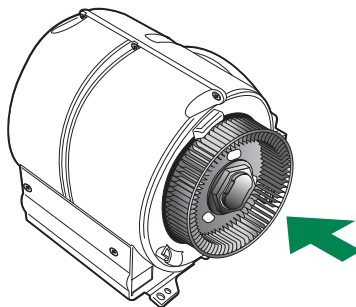
- Vask rotorerne og beskyttelsesristene med et almindeligt opvaskemiddel. De kan også vaskes i opvaskemaskine.
 - Rens udsugningsanordningens hoveddel med en fugtig klud og et egnet rengøringsmiddel; pas på, at der ikke trænger vand ind i enheden og konnektorenes sæder.
 - Lad den tørre godt, før den sættes på plads igen.
-
- Rens luftudgangsrøret så langt ind som muligt med en gulvskrubbe.



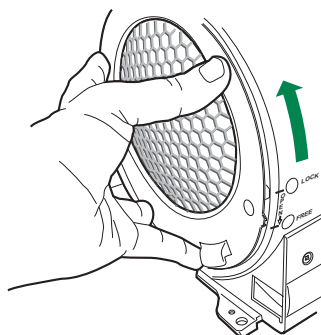
GENMONTERING

OBS: For at undgå at bytte om på rotorerne, når de sættes på plads igen, er deres tilkoblingssteder forskellige.

- Sæt rotorerne tilbage på de tilsvarende tappe, idet der presses, indtil der høres et klik.



- Montér beskyttelsesristene, idet hakkene i positionen "FREE" skal befinde sig ud for hinanden, og drej dem over mod "LOCK".
- Sæt EASY CLEANING udsugningsenheden på emhætten igen ved at placere den og koble den fast til støttetappene.
- Drej spærregrebene eller stram spærhagerne.
- Forbind forsyningens og betjeningsanordningernes konnektorer med tilkoblingsstederne på siderne af udsugningsanordningen.
- Sæt lugtfilteret med aktivt kul på igen, såfremt det forefindes.
- Sæt fedtfilterne på igen.
- Tilkobl emhætten netforsyningen ved at aktivere den topolede afbryder, der er installeret på netforsyningen, eller hovedafbryderen.
- Kontrollér funktionen ved at tænde for motoren og lysene.



REKOMMENDATIONER OCH TIPS

⚠ Denna bruksanvisning är förutsedd för flera versioner av apparaten.

Det är möjligt att vissa enskilda utrustningsdetaljer, inte berör din apparat.

INSTALLATION


- Tillverkaren åtar sig inget ansvar för fel som beror på felaktig eller olämplig installation.
- Minsta tillåtna avstånd mellan spishäll och köksfläkt är 650 mm (vissa modeller kan installeras på en lägre höjd, se avsnitten mått och installation).
- Kontrollera att matningsnätets spänning motsvarar den som anges på märkskylten inuti köksfläkten.
- För Klass I-apparater, kontrollera att matningsnätet ger effektiv jordning.
- Anslut fläkten till frånluftkanalen via ett rör med en diameter på minst 120 mm. Anslutningsröret skall hållas så kort som möjligt.
- Anslut inte köksfläkten till frånluftkanaler som leder förbränningsgaser (från pannor, eldstäder etc.).
- Om fläkten används tillsammans med icke-elektriska spisar (t.ex. gasspisar) måste tillräcklig ventilation garanteras i lokalen för att förhindra backflöde av förbränningsgaser. Köket måste ha ett tilluftdon med direkt anslutning mot ytterluft för att garantera inflöde av friskluft.

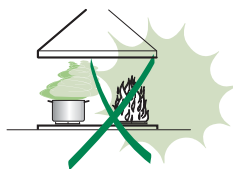
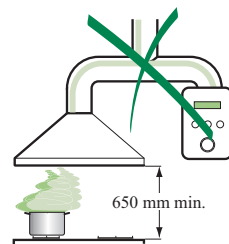
ANVÄNDNING

- Köksfläkten är uteslutande avsedd för hemanvändning, för att eliminera köksos.
- Använd aldrig köksfläkten för andra ändamål än det avsedda.
- Undvik höga flammor under köksfläkten medan fläkten är i drift.
- Justera gaslågan så att flammorna endast berör kokkärllets undersida och inte tränger upp längs dess sidor.
- Fritöser måste övervakas kontinuerligt under användning: Överhettad olja kan fatta eld.
- Köksfläkten skall inte användas av barn eller personer som inte är insatta i korrekt användning.
- Apparaten är inte avsedd att användas av barn eller handikappade personer utan övervakning.
- Tillaga inga flamberade maträtter under köksfläkten, då det finns risk för eldsvåda.
- Denna apparat får inte användas av personer (inklusive barn) med nedsatta fysiska, sensoriska eller mentala förmågor, eller av personer utan erfarenhet och kunskap, om inte de är kontrollerade eller instruerade om användningen av apparaten av personer ansvariga för deras säkerhet.
- Barn ska övervakas för att säkerställa att de inte leker med apparaten.

UNDERHÅLL

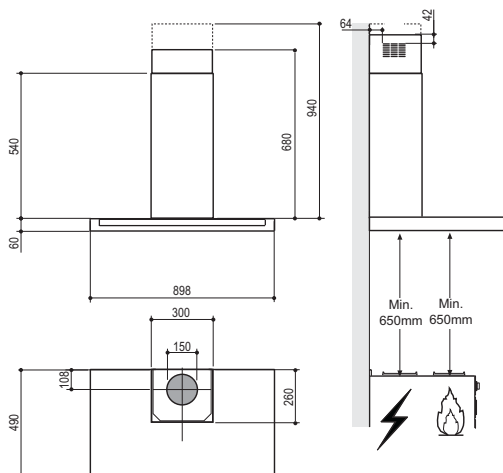
- Stäng av apparaten eller skilj den från matningsnätet innan något underhållsarbete utförs.
- Rengör och/eller byt filtren med angivet intervall (Risk för eldsvåda).
- Rengör köksfläkten med en fuktig trasa och neutralt flytande diskmedel.

Symbolen  på produkten eller emballaget anger att produkten inte får hanteras som hushållsavfall. Den skall i stället lämnas in på uppsamlingsplats för återvinning av el- och elektronikkomponenter. Genom att säkerställa att produkten hanteras på rätt sätt bidrar du till att förebygga eventuellt negativa miljö- och hälsoeffekter som kan uppstå om produkten kasseras som vanligt avfall. För ytterligare upplysningar om återvinning bör du kontakta lokala myndigheter eller sophämningsstjänst eller affären där du köpte varan.



EGENSKAPER

Mått

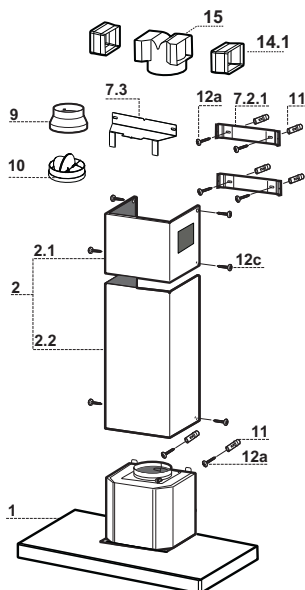


Komponenter

Ref.	Antal	Produktkomponenter
1	1	Köksfläkthuset, komplett med: manöveranordningar, lampa, fläkt, filter
2	1	Teleskopisk skorsten bestående av:
2.1	1	Överdel
2.2	1	Underdel
9	1	Reduktionsfläns \varnothing 150-120 mm
10	1	Fläns \varnothing 150 med backventil
14.1	2	Anslutningsstycke för luftutsläpp
15	1	Luftutsläppsgrenrör

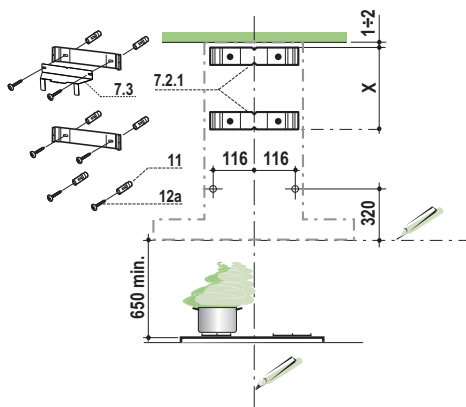
Ref.	Antal	Installationskomponenter
7.3	1	Luftutsläppsgrenrörs konsol
7.2.1	2	Fästvinklar för övre skorstensdel
11	6	Väggpluggar
12a	6	Skrivar 4,2 x 44,4
12c	6	Skrivar 2,9 x 9,5

1	Dokumentation
---	---------------



INSTALLATION

Borring i vägg och montering av fästen

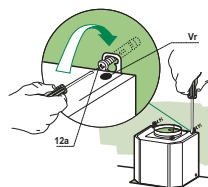


Markering på vägg:

- Ett vertikalt streck upp till taket eller max. gränsen, i mitten av köksfläktens monteringsområde.
- Ett horisontellt streck 650 mm ovanför tillagningshällen.
- Placera konsolen **7.2.1** 1-2 mm från taket eller den övre gränsen enligt anvisningarna. Ställ in konsolens mitt (hack) på det vertikala referensstrecket.
- Markera konsolens hål.
- Placera konsolen **7.2.1** X mm under den första konsolen (X = höjd för medföljande övre skorsten) enligt anvisningarna. Ställ in konsolens mitt (hack) på det vertikala referensstrecket.
- Markera konsolens hål.
- Markera en referenspunkt 116 mm från det vertikala referensstrecket och 320 mm ovanför det horisontella referensstrecket enligt anvisningarna.
- Upprepa detta moment på den motsatta sidan.
- Borra 8 mm hål i de markerade punkterna.
- Sätt in expansionspluggarna **11** i hålen.
- Fäst den nedre konsolen **7.2.1** med de medföljande skruvarna **12a** (4,2 x 44,4).
- Sätt ihop den övre konsolen **7.2.1** och stödkonsolen **7.3** med de medföljande två skruvarna **12a** (4,2 x 44,4).
- Skruva fast de två medföljande skruvarna **12a** (4,2 x 44,4) i hålen för fastsättning av köksfläktsstommen. Se till att lämna ett utrymme på 5-6 mm mellan väggen och skruvhuvudet.

Montering av köksfläktsstomme

- Innan du hakar fast köksfläktsstommen, skruva fast de 2 skruvarna **Vr** som sitter i upphängningspunkterna på köksfläktsstommen.
- Haka fast köksfläktsstommen i de förberedda **12a** skruvarna.
- Skruva fast **12a** stödskrubarna.
- Skruva på skruvarna **Vr** för att nivellera köksfläktsstommen.



Anslutningar

LUFTUTSLÄPP SUGANDE VERSION

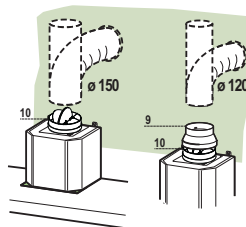
För installation i sugande version anslut fläktkåpan till utgångs-rörsystemet med ett styv eller böjlig slang med en diameter på 150 eller 120 mm, valet lämnas åt installatören.

Anslutning till slang med $\varnothing 150$

- Sätt i flänsen $\varnothing 150$ **10** på utgången av köksfläktsstommen.
- Fäst slangen med lämpliga slangklämmor. Nödvändigt material medföljer inte.

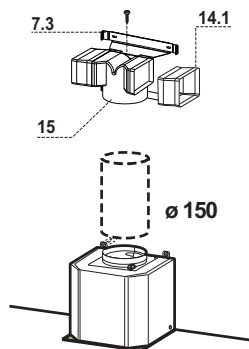
Anslutning till slang med $\varnothing 120$

- För anslutning med en slang med 120 mm diameter, sätt i reduktionsflänsen **9** på den tidigare installerade $\varnothing 150$ flänsen.
- Fäst slangen med lämpliga slangklämmor. Nödvändigt material medföljer inte.
- I båda fallen avlägsna eventuella luktfilter med aktivt kol.



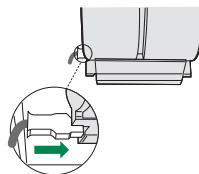
KOLFILTER

- För in förlängningsstyckena **14.1** i grenröret **15**.
- Sätt in anslutningen **15** i stödkonsolen **7.3** och fäst den med en skruv.
- Kontrollera att förlängningsstyckna sitter horisontellt och vertikalt uppriktade. Om så inte är fallet justera detta.
- Anslut grenröret **15** till köksfläkten genom att använda en fast eller en flexibel slang.
- Montera dit kolfilter



ELEKTRISK ANSLUTNING

- Anslut fläktkåpan till eluttaget och installera en tvåpolig brytare med en öppning på minst 3 mm emellan kontaktarna.
- Avlägsna fettfiltren (se avsnitt "Underhåll") och se till att nätsladdens kontaktdon är rätt isatt i fläktens uttag



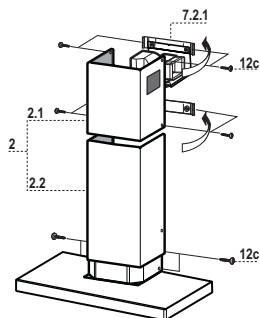
MONTERING AV SKORSTEN

Skorsten, övre sektion

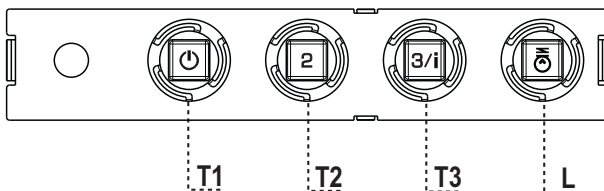
- För försiktigt två motstående sidor av den övre skorstensdelen utåt och haka dem på fästena **7.2.1**. Se till att de sitter ordentligt.
- Fixera sidorna mot fästena med hjälp av de 4 skruvarna **12c** som medföljer.
- Kontrollera att förlängningsstyckna sitter horisontellt och vertikalt uppriktade. Om så inte är fallet justera detta.

Skorsten, nedre sektion

- För försiktigt två motstående sidor av den nedre skorstensdelen utåt och haka fast dem mellan den övre skorstensdelen och väggen. Se till att de kommer ordentligt på plats.
- Fixera den undre skorstensdelens sidor mot fläkthuset med hjälp av de 2 skruvarna **12c** (2,9 x 9,5) som medföljer.



ANVÄNDNING



Kontrollpanel

KNAPP	LYSDIOD	FUNKTIONER
T1	Hastighet Tänd	Aktiverar motorn på den första hastigheten. Stänger av motorn.
T2	Hastighet Tänd	Aktiverar motorn på den andra hastigheten.
T3	Hastighet Fast	Om den trycks kort aktiverar den motorn på den tredje hastigheten. Blinkande Om den trycks i 2 sekunder.
L	Belysning	Aktiveras den fjärde hastigheten tidsinställd på 10 minuter, när denna tid förflutit återgår systemet till den tidigare inställda hastigheten. Lämplig att hålla stånd mot max. spridning av matos. Tänder och släcker belysningen.

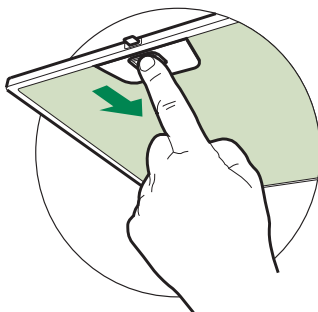
WARNING: Knappen T1 stänger av motorn genom att alltid passera den första hastigheten.

UNDERHÅLL

FETTFILTER

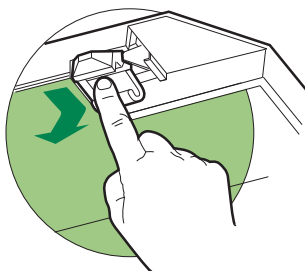
RENGÖRNING AV FETTFILTER

- rengöring av fettfilter av metall.
- filtren är diskbara och måste rengöras minst varannan månad. Rengör oftare vid intensiv användning.
- ta bort filtren, ett i taget, låt dem torka före återmontering.
- vid återmontering av filtren, var noga med att handtagen vänds utåt.



Kolfilter

- byte av kolfilter:
- ta bort fettfiltren av metall
- ta bort de igensatta kolfiltren
- sätt tillbaka fettfiltren av metall

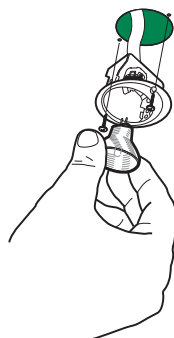


Belysning

BYTE AV LAMPOR

Halogenlampor, 20W

- Ta bort de två skruvarna som fäster lamphållaren och dra ut den ur köksfläkten.
- Dra ut lampan ur hållaren.
- Byt ut lampan mot en ny med samma egenskaper. Sätt in de två piggarna korrekt i hållarens säte.
- Montera hållaren på nytt med de två skruvarna.

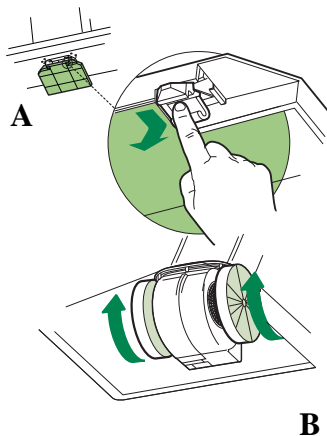


EASY CLEANING™

Borttagning av fettfilter.

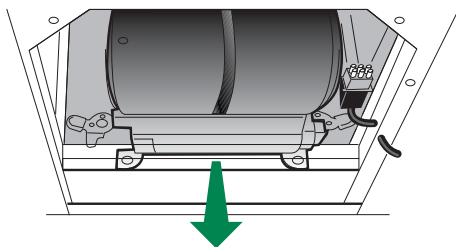
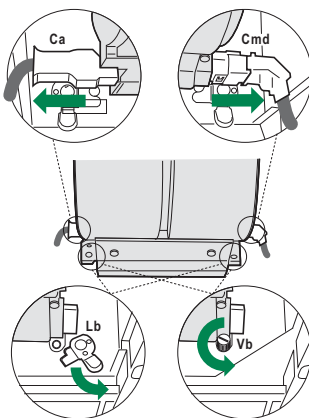
Innan du påbörjar underhållet av utsugningsenheten EASY CLEANING:

- Slå ifrån köksfläkten med den bipolära brytaren installerad på försörjningsnätet eller med huvudströmbrytaren.
- Ta ut fettfiltren ur köksfläkten.
- Ta ut luftfiltren, vid köksfläkt i filtrerande version:
- För köksfläktar med plan kassett (A): använd de speciella hakarna;
- För köksfläktar med bajonettkassetter (B): vrid som visas på bilden och dra ut.



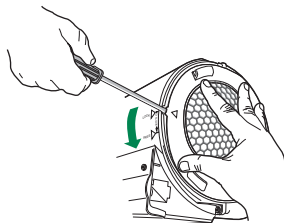
Friläggning av utsugningsenheten EASY CLEANING

- Koppla från starkströmskontakten **Ca** och den för reglagen och belysningen **Cmd** som sitter på enhetens sidor.
- För väggmonterade köksfläktar och de med ö med skorsten med rektangulär sektion, vrid låsningsspakarna **Lb** på utsugningsenheten, och haka av dem från stiften.
- På köksfläktarna med ö och rund skorstenssektion, skruva loss spärnhakarna **Vb** på utsugningsenheten.
- Dra utsugningsenheten framåt så att den friläggs från stödstiften dra ut den nedåt från luftutsläppet.

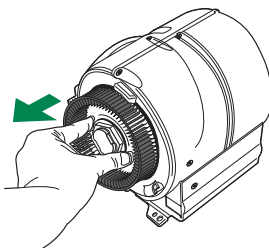


Demontering av de diskbara delarna

- För att avlägsna skyddsgallren på sidorna av fläkthjulen, lyft upp låstenden med spetsen av en skruvmejsel eller kniv och vrid dem i pilens riktning.

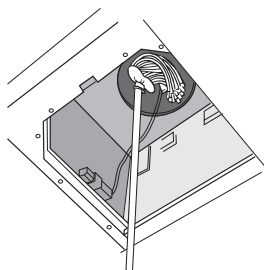
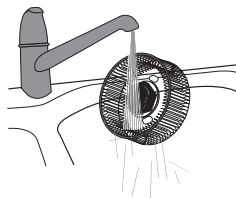


- Ta tag i fläkthjulen i de förberedda hålen och dra ut dem.



RENGÖRING

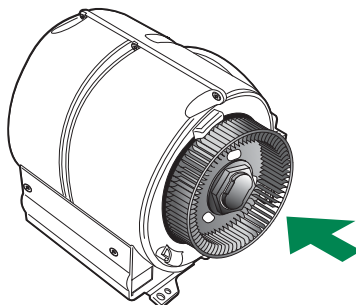
- Diska fläkthjulen och skyddsgallren med normalt diskmedel. De kan även diskas i diskmaskin.
- Rengör utsugningsenheten med en fuktig trasa och lämpligt rengöringsmedel, men ge noga akt på att inte vatten kommer in i enheten och i kontaktens säten.
- Torka den väl innan du monterar tillbaka den.
- Rengör luftutsläppskanalen så långt det är möjligt med en borste.



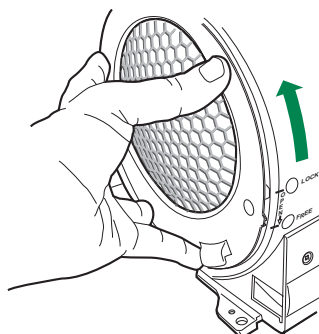
ÅTERMONTERING

N.B. För att undvika omvända monteringar, har fläkthjulen differentierade kopplingar.

- Montera fläkthjulen på de motsvarande stiften och tryck tills du hör klicket för fasthållningen.



- Montera skyddsgallren och låt tänderna sammanfalla i läge "FREE" och vrid dem mot "LOCK".
- Montera utsugningsenheten EASY CLEANING på köksfläkten, sätt i den i läge och haka fast den på stödstiften.
- Vrid låsspakarna, eller skruva fast spärrhaken.
- Anslut kraftförsörjningskontakten och den för reglagen till uttagen som sitter på utsugningsenhetens sidor.
- Montera eventuella luftfilter med aktivt kol.
- Montera fettfiltren på nytt.
- Slå på köksfläkten med den bipolära brytaren installerad på försörjningsnätet eller med huvudströmbrytaren.
- Kontrollera funktionen genom att starta motorn och tända belysningen.



ANBEFALINGER OG FORSLAG

⚠ Denne bruksanvisningen gjelder for flere maskinutgaver. Det kan finnes beskrivelser av enkelte deler som ikke gjelder din maskin.

INSTALLASJON


- Produsenten skal ikke kunne holdes ansvarlig for eventuelle skader som oppstår som følge av feil eller ufullstendig montering.
- Minimum sikkerhetsavstand mellom komfyrtoppen og vifteheten er 650 mm med mer (noen modeller kan installeres lavere, se avsnittene Mål og Installasjon).
- Kontroller at nettspenningen er i overensstemmelse med spenningen som er angitt på merkeplaten på innsiden av hetten.
- For utstyr i klasse I må det kontrolleres at strømforsyningen garanterer tilstrekkelig jording.
- Koble sugeviften til avtrekkskanalen gjennom et rør med en minimumsdiameter på 120 mm. Trekanalens rute må være så kort som mulig.
- Ikke koble vifteheten til avtrekkskanaler med forbrenningsgasser (kjeler, ildsteder osv.).
- Hvis sugeviften brukes sammen med ikke-elektriske apparater (f.eks. gassapparater), må det sørges for tilstrekkelig lufting i rommet for å hindre tilbakestrømming av avgass. Kjøkkenet må ha en direkte åpning til fri luft for å garantere tilførsel av ren luft.

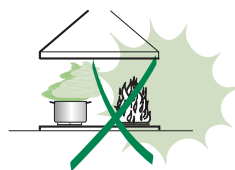
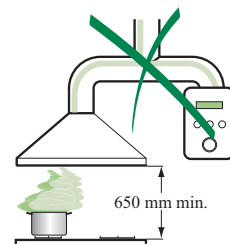
BRUK

- Vifteheten er utviklet utelukkende for hjemmebruk for å motvirke lukter på kjøkkenet.
- Bruk aldri hetten til andre formål enn den er beregnet for.
- Tillat aldri høye, åpne flammer under hetten når den er i bruk.
- Juster flammestyrken slik at bare bunnen av gryten omslutes, og ikke sidene.
- Frityrkokere må overvåkes kontinuerlig under bruk: overopphetet olje kan ta fyr.
- Hetten må ikke brukes av barn eller personer som ikke har fått opplæring i korrekt bruk.
- Utstyret er ikke beregnet for bruk av unge barn eller sykelige personer uten tilsyn.
- Ikke flambér under kjøkkenviften pga. brannfaren.
- Dette apparatet må ikke brukes av personer (inkl. barn) med reduserte psykiske evner og ferdigheter, eller av uerfarne personer uten kjennskap til apparatet, hvis de ikke er under oppsyn eller opplæring av personer ansvarlige for deres sikkerhet.
- Barn må holdes under oppsyn for å garantere at de ikke leker med apparatet.

VEDLIKEHOLD

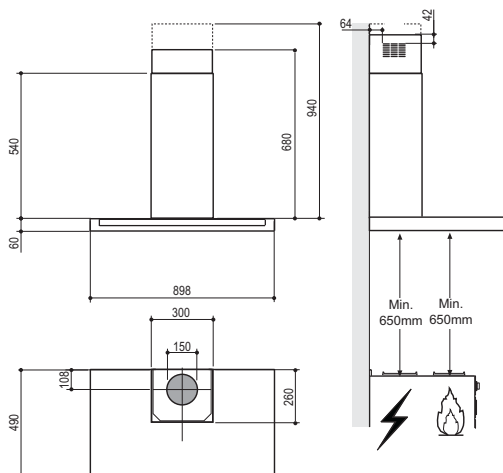
- Slå av eller koble apparatet fra strømmettet før det utføres vedlikeholdsarbeid.
- Rengjør og/eller skift ut filtrene etter angitt tid (Brannrisiko).
- Rengjør hetten med en fuktig klut og et nøytralt, flytende rensmiddel.

Symbolet  på produktet eller på emballasjen viser at dette produktet ikke må behandles som husholdningsavfall. Det skal derimot bringes til et mottak for resirkulering av elektrisk og elektronisk utstyr. Ved å sørge for korrekt avhending av apparatet, vil du bidra til å forebygge de negative konsekvenser for miljø og helse som gal håndtering kan medføre. For nærmere informasjon om resirkulering av dette produktet, vennligst kontakt kommunen, renovasjons-selskapet eller forretingen der du anskaffet det.



EGENSKAPER

Dimensjoner

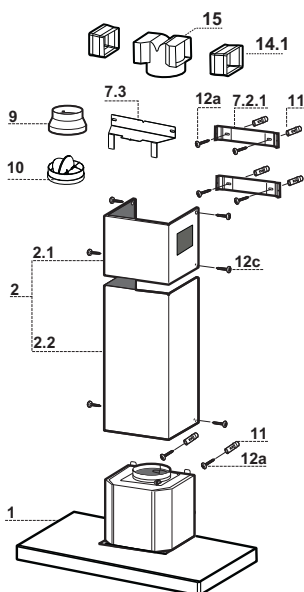


Deler

Ref.	Antall	Produktets deler
1	1	Kjøkkenviftens hoveddel komplett med: Kontroller, lys, vifteenhet, filtre.
2	1	Uttrekkbart røkrør; består av:
2.1	1	Øverste røkrør
2.2	1	Nederste røkrør
9	1	Reduksjonsflens med en diameter på 150-120 mm
10	1	Flens med ventil
14.1	2	Forlengelsesledning for lufttløpskopling
15	1	Lufttløpskopling

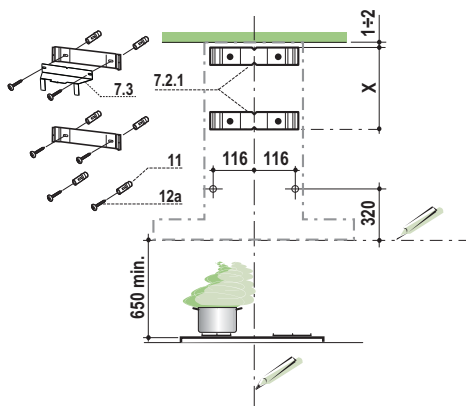
Ref.	Antall	Installasjonsdeler
7.2.1	2	Festekonsoller til øverste røkrør
7.3	1	Festekonsoll til kopling
11	6	Ekspansjonsplugger
12a	6	Skruer 4,2 x 44,4
12c	6	Skruer 2,9 x 9,5

Antall	Dokumentasjon
1	Bruksveiledning



INSTALLASJON

Boring av hull i veggen og festing av konsollene

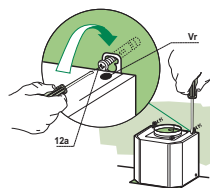


Tegn opp følgende på veggen:

- En vertikal linje helt opp til taket eller til den øverste grensen, på midten av området hvor kjøkkenviften skal monteres.
- En horisontal linje min. 650 mm over platetoppen.
- Støtt konsollen **7.2.1** som vist 1-2 mm fra taket eller den øverste grensen. Sentrer midten (hakkene) på den vertikale referanselinjen.
- Merk av midten til hullene til konsollen.
- Støtt konsollen **7.2.1** som vist X mm under den første konsollen (X = høyden på det øverste røkrøret som følger med). Sentrer midten (hakkene) på den vertikale referanselinjen.
- Merk av midten til hullene til konsollen.
- Merk av et referansepunkt som vist 116 mm fra den vertikale referanselinjen og 320 mm over den horisontale referanselinjen.
- Gjenta dette arbeidet på motsatt side.
- Bor hull med en diameter på 8 mm i de avmerkede punktene.
- Sett ekspansjonspluggene **11** inn i hullene.
- Fest den nederste konsollen **7.2.1** med skruene **12a** (4,2 x 44,4) som følger med.
- Fest den øverste konsollen **7.2.1** sammen med festekonsollen til koplingen **7.3** med de to skruene **12a** (4,2 x 44,4) som følger med.
- Skru inn de to skruene **12a** (4,2 x 44,4) som følger med i hullene for å feste kjøkkenviftens hoveddel. La det være et mellomrom på 5-6 mm mellom veggen og skruhodet.

Montering av kjøkkenviftens hoveddel

- Før du hekter på kjøkkenviftens hoveddel, må du stramme de to skruene **Vr** som er plassert på hektepunktene til kjøkkenviftens hoveddel.
- Hekt kjøkkenviftens hoveddel på skruene **12a**.
- Stram til skruene **12a**.
- Skru på skruene **Vr** for å nivellere kjøkkenviftens hoveddel.



Tilkoplinger

LUFTUTLØP FOR SUGEVERSJON

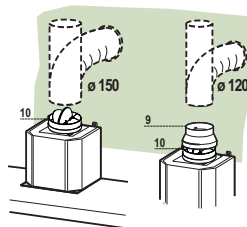
For installasjon av kjøkkenviften i sugerversjon må du kople kjøkkenviften til utløpsrøret med et rør eller en slange med en diameter på 150 eller 120 mm (etter eget valg).

Tilkopling av rør med en diameter på 150 mm

- Før flensen med en diameter på 150 mm **10** inn på utløpet fra kjøkkenviftens hoveddel.
- Fest røret med egnete slangeklemmer. Nødvendig materiale følger ikke med.

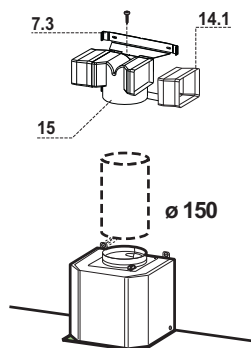
Tilkopling av rør med en diameter på 120 mm

- For tilkopling av rør med en diameter på 120 mm må du føre inn reduksjonsflensen **9** på flensen med en diameter på 150 mm som du allerede har montert.
- Fest røret med egnete slangeklemmer. Nødvendig materiale følger ikke med.
- I begge tilfellene må du fjerne eventuelle aktive kullfiltre.



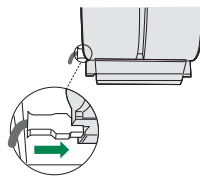
LUFTUTLØP FOR FILTRERINGSVERSJON

- Før forlengelsesledningene for koplingen **14.1** inn på koplingsen **15** fra siden.
- Før koplingen **15** inn på festekonsollen **7.3**, og fest den med en skrue.
- Forsikre deg om at åpningene til forlengelsesledningene for koplingen **14.1** passer inn i åpningene til røkrøret både horisontalt og vertikalt.
- Kople koplingen **15** til utløpet fra kjøkkenviftens hoveddel med et rør eller en slange med en diameter på 150 mm (etter eget valg).
- Kontroller at det aktive kullfilteret er montert.



ELEKTRISK TILKOPLING

- Kople kjøkkenviften til strømmettet med en topolet bryter med en kontaktåpning på minst 3 mm.
- Fjern fettfiltrene (se avsnittet Vedlikehold) og kontroller at koplingsstykket til nettkabelen er korrekt innført i stikkkontakten til sugesystemet.



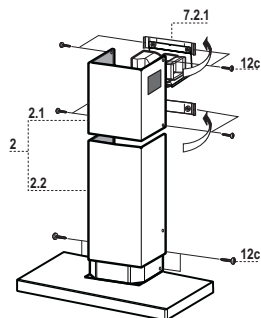
Montering av røkrøret

Øverste røkrør

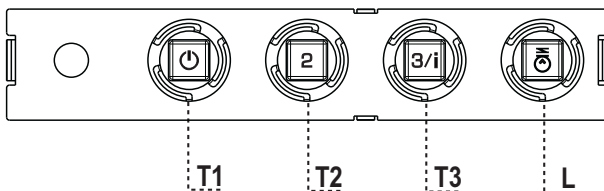
- Utvid litt de to kantene på sidene og heft dem på bak konsollene **7.2.1**. Lukk kantene deretter helt igjen.
- Fest kantene på sidene av konsollene med de fire skruene **12c** (2,9 x 9,5) som følger med.
- Forsikre deg om at åpningene til forlengelsesledningen for koplingen passer inn i åpningene til røkrøret.

Nederste røkrør

- Utvid litt de to kantene på sidene av røkrøret og heft dem på mellom det øverste røkrøret og veggen. Lukk kantene deretter helt igjen.
- Fest den nederste siden til kjøkkenviftens hoveddel fra siden med de to skruene **12c** (2,9 x 9,5) som følger med.



BRUK



Kontrollpanel

KNAPP	LED	FUNKSJONER
T1	Hastighet Tent	Slår motoren på ved den første hastigheten. Slår av motoren.
T2	Hastighet Tent	Slår motoren på ved den andre hastigheten.
T3	Hastighet Tent konstant	Trykk kort på knappen for å slå motoren på ved den tredje hastigheten.
	Blinker	Trykk i 2 sekunder. Aktiverer den fjerde hastigheten i 10 minutter. Når tiden er utløpt går den automatisk tilbake til den tidligere innstilte hastigheten. Egnet til å fjerne mye os.
L	Lys	Tenner og slukker belysningen.

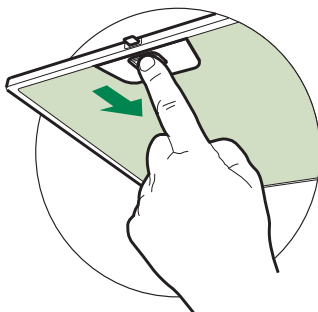
Advarsel: Med knappen **T1** går motoren over til den første hastigheten og slås deretter av.

VEDLIKEHOLD

Fettfilter

VASKING AV DE SELVBÆRENDE FETTFILTRENE AV METALL

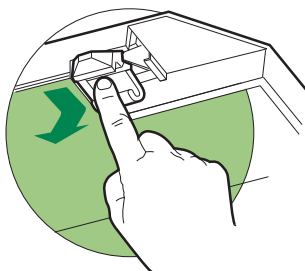
- Filtrene kan vaskes også i oppvaskmaskinen. De må vaskes ca. hver andre måned og eventuelt oftere avhengig av bruksforholdene.
- Fjern filtrene ett av gangen ved å trykke dem mot baksiden og samtidig skyve dem nedover.
- Vask filtrene. Pass på at du ikke bøyer dem. La dem tørke før du monterer dem igjen.
- Når du monterer filtrene igjen må du passe på at håndtaket er rettet mot utsiden.



Kullfilter, filtrerende versjon

UTSKIFTING AV KULLFILTERET

- Dette filteret kan ikke vaskes eller brukes om igjen. Det skal skiftes ut minst hver fjerde måned eller oftere avhengig av bruksforholdene.
- Fjern fettfiltrene av metall.
- Hekt av kullfilteret.
- Hekt det nye filteret på i dets sete.
- Monter fettfiltrene av metall igjen.

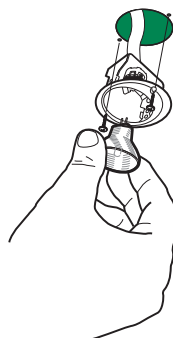


Belysning

BYTTE AV LYSPÆRENE

Halogenpærer på 20 W.

- Ta ut de to skruene som fester belysningsstøtten og trekk den ut fra kjøkkenviften.
- Ta lypæren ut fra støtten.
- Bytt lypæren ut med en av samme type. Pass på at du fører de to pluggene korrekt inn i støttens sete.
- Monter støtten igjen og fest den med de to skruene.

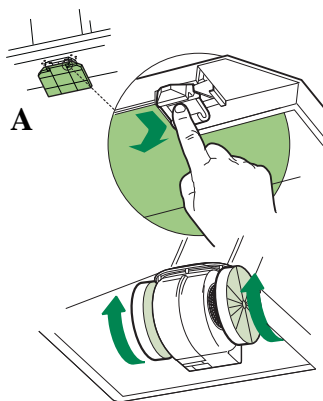


EASY CLEANING™

Fjerning av fettfiltrene

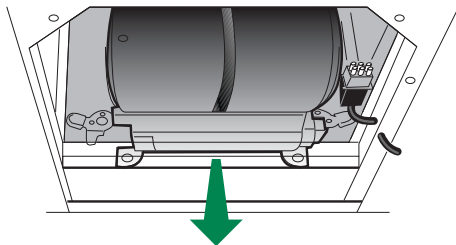
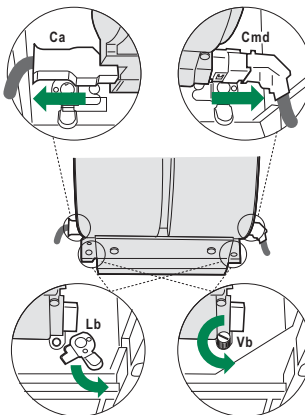
Gjør som følger før du utfører vedlikehold på sugesystemenheten EASY CLEANING:

- Frakople kjøkkenviften med den topolette bryteren på strømmettet eller med hovedbryteren.
- Ta fettfiltrene ut av kjøkkenviften.
- Fjern de aktive kullfiltrene (filtreringsversjon):
- For kjøkkenvifter med flat patron (A): Grip inn på de dertil bestemte krokene.
- For kjøkkenvifter med bajonettpatroner (B): Drei som vist og trekk ut.



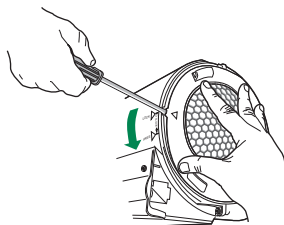
Avheking av sugesystemenheten EASY CLEANING

- Frakople nettkabelens koplingsstykke **Ca** og kontrollenes og belysningens koplingsstykke **Cmd** som er plassert på siden av enheten.
- På kjøkkenvifter som monteres på veggen og frittstående kjøkkenvifter med røkrør med rektangulært tverrsnitt må du dreie sperrespakene **Lb** til sugesystemenheten og hekte dem av stiftene.
- På frittstående kjøkkenvifter med røkrør med rundt tverrsnitt må du skru løs sperrehakene **Vb** til sugesystemenheten.
- Trekk sugesystemenheten fremover slik at den kan hektes av støttstiftene og trekkes nedover og ut fra luftutløpet.

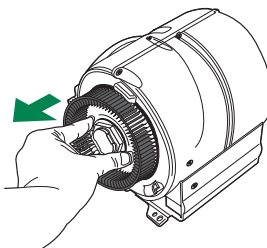


Demontering av delene som kan vaskes

- For å fjerne beskyttelseristene på siden av viftebladene må du løfte sperreanordningen med spissen til et skrujern eller en kniv og dreie dem i pilens retning.

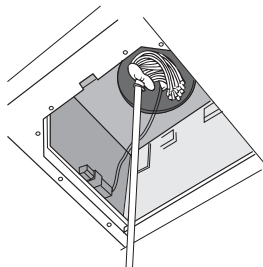
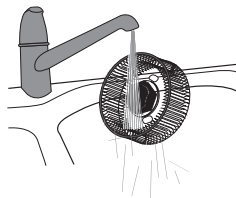


- Ta tak i viftebladene i de bestemte hullene og trekk dem ut.



RENGJØRING

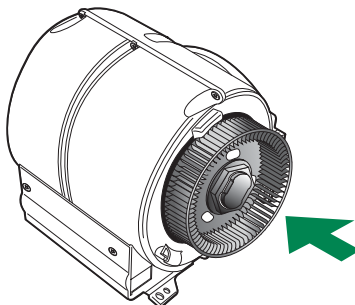
- Rengjør viftebladene og beskyttelsesristene med vanlig oppvaskmiddel. Delene kan også vaskes i oppvaskmaskinen.
- Rengjør sugesystemenhetens hoveddel med en fuktig klut og et egnet vaskemiddel. Pass på at det ikke trenger vann inn i enheten og koplingsstykkenes sete.
- La delene tørke skikkelig før du monterer dem igjen.
- Bruk en kost og rengjør utløpsrøret så langt opp som mulig.



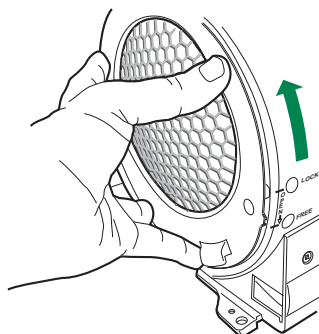
GJENMONTERING

NB.: For ikke å bytte om monteringsretningen har viftebladene ulike fester.

- Gjenmonter viftebladene på de tilhørende stiftene. Trykk helt til de hektes på plass.



- Pass på at sperreanordningene står i posisjon "FREE" og monter beskyttelsesristene. Drei deretter beskyttelsesristene mot "LOCK".
- Gjenmonter sugesystemenheten EASY CLEANING på kjøkkenviften ved å plassere den i rett posisjon og så hekte den på støttestiftene.
- Drei sperrespakene eller skru inn sperrehakene.
- Kople nettkabelens koplingsstykke og kontrollenes koplingsstykke til kontaktene på siden av sugesystemet.
- Gjenmonter eventuelle aktive kullfiltre.
- Gjenmonter fettfiltrene.
- Kople kjøkkenviften til strømnettet med den topolette bryteren på strømnettet eller med hovedbryteren.
- Kontroller at alt fungerer ved å tenne motoren og belysningen.



OHJEET JA SUOSITUKSET

⚠ Nämä käyttöohjeet koskevat useita tuuletintyyppjeä. On mahdollista, että teksti käsittelee yksityiskohtia, jotka eivät kuulu valitsemaanne tuulettimeen.

ASENNUS

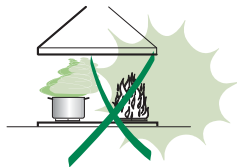
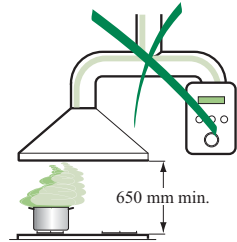
- Valmistaja ei vastaa virheellisestä tai huolimattomasta asennuksesta aiheutuvista vahingoista
- Pienin sallittu turvaetäisyys liesitason ja liesikuvun välillä on 650 mm (jotkut mallit voidaan asentaa alemmas, katso mittoja ja asennusta koskevia kappaleita).
- Tarkista, että käytettävän sähköverkon jännite vastaa liesikuvun sisäpuolella olevaan arvokilpeen merkittyä jännitettä.
- Kytke laite vain maadoitettuun pistorasiaan.
- Yhdistä liesituuletin hormiin putkella, jonka halkaisija on vähintään 120 mm. Hormiin menevän putken on oltava mahdollisimman lyhyt.
- Älä yhdistä liesituuletinta savuhormiin (lämmityskattilat, tulisijat, jne.).
- Mikäli liesituuletinta käytetään muiden kuin sähkölaitteiden (esim. kaasuhella) yhteydessä, on huolehdittava työskentelytilan riittävästä tuuletuksesta, etteivät poistettavat kaasut pääse virtaamaan takaisin työskentelytilaan. Keittiössä on oltava ilmanvaihtoaukko puhdasta tuloilmaa varten.


KÄYTTÖ

- Liesituuletin on tarkoitettu vain kotitalouskäyttöön.
- Älä koskaan käytä liesituuletinta muuhun tarkoitukseen kuin, mihin se on suunniteltu.
- Älä koskaan jätä avotulta liesituulettimen alle liesituulettimen ollessa käynnissä.
- Säädä liekin teho siten, että liekki kohdistuu vain astian pohjaan eikä sen reunoille.
- Syviä paistinpannuja on paiston aikana koko ajan pidettävä silmällä, sillä ylikuumentunut öljy voi leimahtaa tuleen.
- Lapset tai henkilöt, joita ei ole opastettu laitteen oikeaan käyttöön, eivät saa käyttää liesituuletinta.
- Liesikuvun alla ei saa valmistaa liekitettäviä ruokia: tulipalon vaara
- Laitetta eivät saa käyttää henkilöt (lapset mukaan lukien), joiden psyykinen, aistien tai mielen terveys on heikentynyt, tai henkilöt, joilla ei ole tarpeellista kokemusta tai taitoa, ellei heidän turvallisuudestaan vastaava henkilö ole valmentanut heitä laitteen käyttöön tai valvo sitä.
- Valvo, etteivät lapset pääse leikkimään laitteella.

HUOLTO

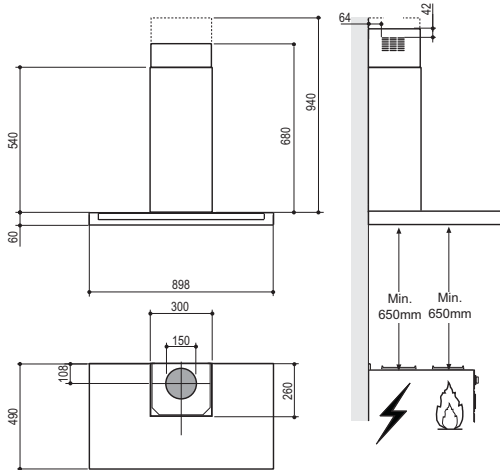
- Sulje laite tai irrota sen pistoke pistorasiasta ennen hoitoa.
- Puhdista ja/tai vaihda suodattimet annetun ajan kuluttua (Tulipalovaara).
- Puhdista liesituuletin kostealla kankaalla ja miedolla, nestemäisellä pesuaineella.



Symboli , joka on merkitty tuotteeseen tai sen pakkaukseen, osoittaa, että tätä tuotetta ei saa käsitellä talousjätteenä. Tuote on sen sijaan luovutettava sopivaan sähkö- ja elektroniikkalaitteiden kierrätyksestä huolehtivaan keräyspisteeseen. Tämän tuotteen asianmukaisen hävittämisen varmistamisella autetaan estämään sen mahdolliset ympäristöön ja terveyteen kohdistuvat haittavaikutukset, joita voi aiheutua muussa tapauksessa tämän tuotteen epäasianmukaisesta jättekäsittelystä. Tarkempia tietoja tämän tuotteen kierrättämisestä saa paikallisesta kunnantoumistosta, talousjätehuoltopalvelusta tai liikkeestä, josta tuote on ostettu.

MITAT JA OSAT

Mitat

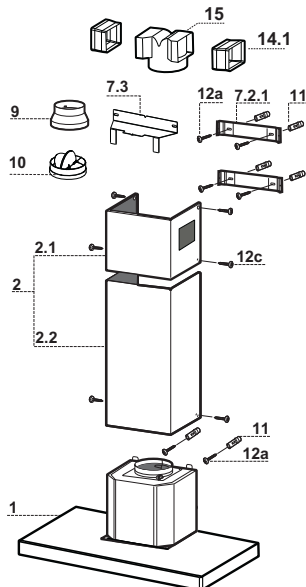


Osat

Pos.	Määrä	Tuotteen osat
1	1	Liesituulettimen koneisto: säätimet, valo, puhallin, suodattimet
2	1	Jalkettavan ilmanvaihtoputken osat:
2.1	1	Yläosa
2.2	1	Alaosa
9	1	Supistusputki 150- 120 mm
10	1	Laippa \varnothing 150 suuntaisventtiilillä
14.1	2	Ilmanvaihtoputken haarakappaleen jatke
15	1	Ilmanvaihtoputken haarakappale

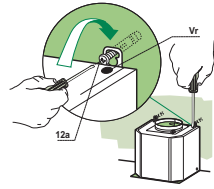
Pos.	Määrä	Asennustarvikkeet
7.2.1	2	Ilmanvaihtoputken yläosan kannattimet
7.3	1	Ilmanvaihtoputken haarakappaleen tuki
11	6	Tulppa
12a	6	Ruuvi 4,2 x 44,4
12c	6	Ruuvi 2,9 x 9,5

1 Käyttöohje



Liesituulettimen rungon kokoaminen

- Ennen rungon kiinnittämistä on kiristettävä rungon kiinnityskohtien kaksi ruuvia **Vr**.
- Kiinnitä runko ruuveihin **12a**.
- Kiristä tukiruuvit **12a**.
- Tasapainota liesituulettimen runko ruuveilla **Vr**.



Liitännät

IMUVERSION ILMAN ULOSTULO

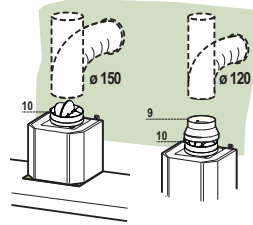
Imuversio asennetaan liittämällä liesituuletin ilman ulostuloon jäykällä tai taipuisalla putkella $\varnothing 150$ tai 120 mm, asentajan valinnan mukaan.

Putkiliitäntä $\varnothing 150$

- Laita laippa **10**, $\varnothing 150$, liesituulettimen rungon ulostuloon.
- Kiinnitä putki sopivilla puristimilla. Materiaali ei kuulu toimintukseen.

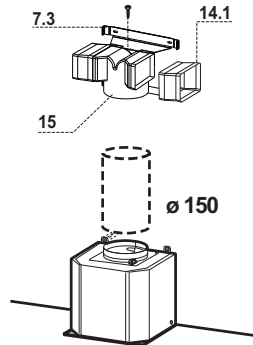
Putkiliitäntä $\varnothing 120$

- Jos käytät putkea $\varnothing 120$ mm, laita kavennuslaippa **9** asentamaasi laippaan $\varnothing 150$.
- Kiinnitä putki sopivilla puristimilla. Materiaali ei kuulu toimintukseen.
- Molemmissa tapauksissa mahdolliset aktiivihiilisuodattimet täytyy poistaa.



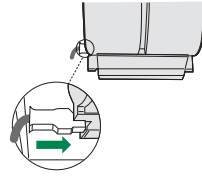
SUODATUSVERSIOSSA ILMANPOISTO

- Laita liitoksen **15** sivuille liitoksen jatko-osat **14.1**.
- Aseta liitos **15** tukeen **7.3** ja kiinnitä se ruuvilla.
- Varmista, että liitoksen jatko-osien **14.1** ulostulo on hormin aukkojen kohdalla sekä vaakasuorassa että pystysuorassa.
- Liitä liitos **15** liesituulettimen rungon ulostuloaukkoon asentajan valitseman putken tai letkun avulla, $\varnothing 150$ mm tai 120 mm.
- Varmista, että aktiivihiilisuodatin on paikallaan.



SÄHKÖLIITÄNTÄ

- Liitä liesituuletin sähköverkkoon turvakytkimen kautta, jonka kontaktien väli on ainakin 3 mm.
- Poista rasvasuodattimet (katso kappaletta “Huolto”) ja varmista, että virtajohdon liitin on kunnolla kiinni imulaitteessa



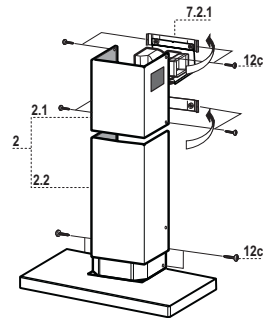
Hormin asennus

Ylähormi

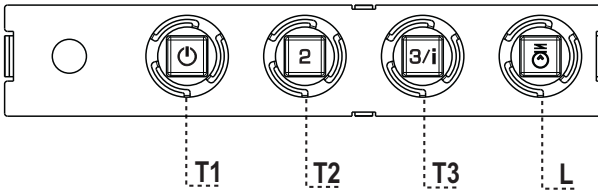
- Levitä hieman sivujen reunoja, kiinnitä ne tukiin **7.2.1** ja sulje ne.
- Kiinnitä tukien reunat neljällä ruuvilla **12c** (2,9 x 9,5).
- Varmista, että liitoksen jatko-osien ulostulo on hormin aukkojen kohdalla.

Alahormi

- Levitä hormin sivujen reunoja, kiinnitä ne ylähormin ja seinän väliin ja sulje ne.
- Kiinnitä alaosa reunoista liesituulettimeen kahdella toimitetulla ruuvilla **12c** (2,9 x 9,5).



KÄYTTÖ



Käyttöpaneeli

PAINIKE	MERKKIVALO	TOIMINNOT		
T1	Nopeus	Palaa	Käynnistää moottorin ensimmäisellä nopeudella. Sammuttaa moottorin.	
T2	Nopeus	Palaa	Käynnistää moottorin toisella nopeudella.	
T3	Nopeus	Kiinteä	Lyhyt painallus käynnistää moottorin kolmannella nopeudella. Vilkkuva	Kun painiketta painetaan 2 sekunnin ajan. Aktivoi neljännen nopeuden, joka toimii 10 minuuttia. Ajastetun ajan päätyttyä nopeus palaa asetettuun arvoon. Soveltuu käytettäväksi kun savua on paljon.
L	Valot		Sytyttää ja sammuttaa valaistuksen.	

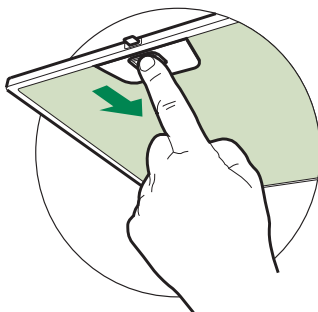
Huomio: Painike **T1** sammuttaa moottorin kulkien aina ensimmäisen nopeuden kautta.

HUOLTO

Rasvasuodattimet

ITSEKANNATTAVIEN METALLISTEN RASVASUODATTIMIEN PUHDISTUS

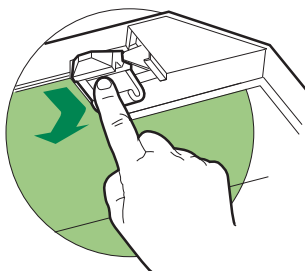
- Voidaan pestä myös astianpesukoneessa. Pesu on tarpeen noin 2 kuukauden käytön jälkeen tai useammin, jos laitetta käytetään paljon.
- Irrota suodattimet yksi kerrallaan työntämällä niitä taaksepäin ja vetämällä samalla alaspäin.
- Pese suodattimet. Vältä niiden taivuttamista. Anna suodattimien kuivua ennen niiden paikalleen asettamista.
- Asenna ne paikalleen ja pidä kahva näkyvässä ulkopuolella.



Aktiivihiilisuodatin (Kiertoilmaversio)

AKTIIVIHIILISUODATTIMEN VAIHTO

- Aktiivihiilisuodatinta ei voi pestä. Se vaihdetaan neljän kuukauden väliajoin tai useimmin, mikäli tuuletin käyttö on erityisen runsasta.
- Poista metalliset rasvasuodattimet.
- Poista keittiöhajujen kyllästämä aktiivihiilisuodatin vetämällä sen hakasista.
- Aseta uusi suodatin paikalleen.
- Aseta metalliset rasvasuodattimet uudelleen paikoilleen.



Valo

LAMPUN VAIHTAMINEN

Halogeenilamput, 20 W

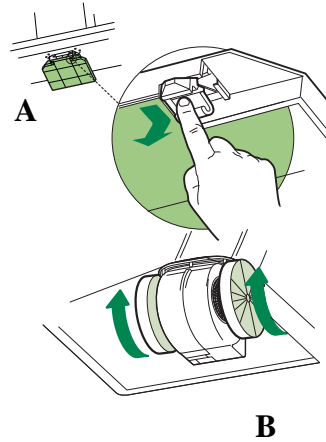
- Irrota kaksi ruuvia, jotka pitävät kiinni valon tukea ja poista tuki liesituulettimesta.
- Ota lamppu irti tuesta.
- Vaihda lamppu uuteen samanlaiseen lamppuun. Varmista, että koskettimet ovat kunnolla kiinni tuessa.
- Laita tuki paikalleen ja kiinnitä se kahdella ruuvilla.



Rasvasuodattimien irrottaminen

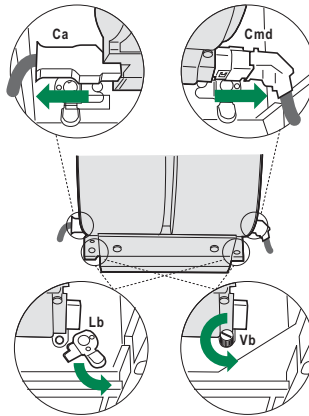
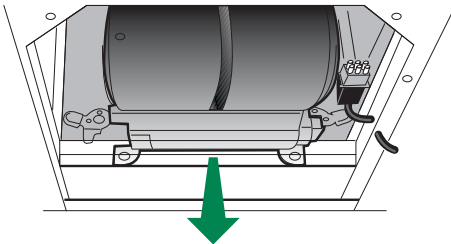
Ennen EASY CLEANING -imulaitteen huoltoa toimi seuraavasti:

- poista tuuletin sähköverkosta kytkemällä päältä virransyöttöjohdon kaksinapainen kytkin tai katkaisemalla virta päävirtakytkimestä
- poista rasvasuodattimet
- jos tuuletin toimii kiertoilmaversiolla, poista hiilisuodattimet
- litteäsalvalliset hiilisuodattimet (A): avaa salvat
- kääntökytkimelliset hiilisuodattimet (B): käännä kuvan osoittamalla tavalla ja vedä hiilisuodatin ulos.



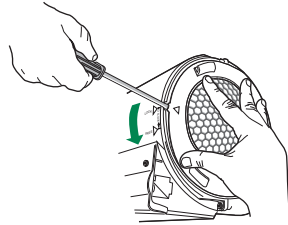
EASY CLEANING -imulaitteen irrottaminen

- Kytke irti virtaliitin **Ca** sekä ohjaus- ja valaistusliitin **Cmd** laitteen sivulta.
- Seinälle asennettavat sekä vapaana riippuvat tuulettimet, joissa on poikkileikkaukseltaan nelikulmainen hormi: kierrä lukitus-salpoja **Lb** niin, että ne irtoavat tapeista.
- Vapaana riippuvat tuulettimet, joissa on poikkileikkaukseltaan pyöreä hormi: kierrä imulaitteen lukitustapeista **Vb**.
- Vedä imulaitetta eteenpäin niin, että se irtaa tukitapeista. Vedä se ulos alakautta ilmanpoistoaukon kautta.

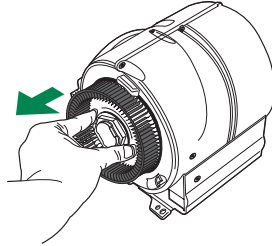


Pestävien osien irrottaminen

- Puhaltimia suojaavien sivusäleikköjen poistamiseksi nosta lukitustappia ylöspäin veitsen tai ruuvimeisselin avulla. Käännä säleikköjä nuolen osoittamaan suuntaan.

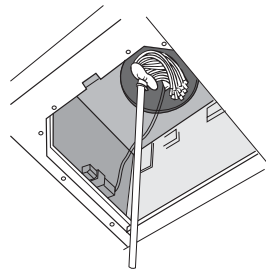
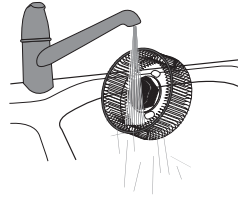


- Vedä puhaltimet ulos.



PUHDISTUS

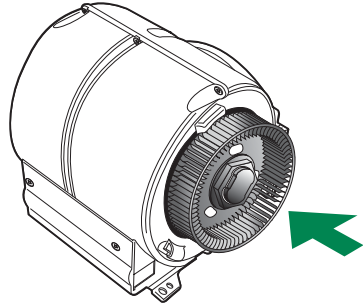
- Pese puhaltimet ja suojasäleiköt tavallisella astianpesuaineella. Osat voidaan pestä myös astianpesukoneessa.
- Pyyhi imulaitteen runko kostealla liinalla ja sopivalla puhdistusaineella. Varo, ettei vettä pääse laitteen sisälle ja liitinkoteloihin.
- Jätä laite kuivumaan, kunnes se on täysin kuiva.
- Puhdista harjan avulla ilmanpoistoaukkoa niin pitkälle kuin mahdollista.



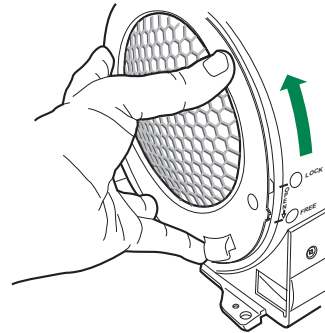
KOKOAMINEN

Huom. Puhaltimet on varustettu erilaisilla liittimillä niiden väärinpäin asentamisen estämiseksi.

- Asenna puhaltimet paikoilleen niitä vastaviihin tappeihin. Paina puhaltimia kevyesti, kunnes ne naksauttavat paikoilleen.



- Asenna suojasäleiköt paikoilleen. Aseta säleikön hammastus "FREE"-merkinnän kohdalle ja kierrä säleikköjä "LOCK"-merkinnän suuntaan.
- Asenna EASY CLEANING -imulaite tuuletin sisälle omalle paikalleen. Varmista kiinnitys tukitappien avulla.
- Kierrä lukituskytkimiä tai ruuvaa lukitus-tulpat kiinni.
- Kytke virtaliitin paikalleen ja ohjausliitin imulaitteen sivuissa oleviin pistokkeisiin.
- Asenna mahdolliset aktiivihillisuodattimet paikoilleen.
- Asenna metallirasvasuodattimet paikoilleen.
- Liitä tuuletin sähköverkkoon virransyöttöjohdon kaksinapaisella kytkimellä tai kytkemällä virta päälle päävirtakytkimellä.
- Tarkista, että tuuletin toimii moitteettomasti kytkemällä moottori ja valaistus päälle.





Franke S.p.a.
Via Pignolini,2
37019 Peschiera del Garda (VR)
www.franke.it

436005313_ver1